

# Zip HydroTap<sup>®</sup> Miniboil<sup>®</sup> Classic

Super-compact economy models for filtered boiling water and filtered ambient water



Miniboil<sup>®</sup> Classic installed on sink.



Touch pad control panel.



Can be installed away from any sink with the optional Zip "font" accessory.

## Zip Hydrotap Miniboil now offers you boiling filtered water as well as ambient filtered water- instantly.

- Super-compact, super-simple instant boiling water system for home kitchens.
- Press the red touch pad and safety lock together for filtered boiling water, instantly. No more waiting for water to boil for tea, coffee and cooking.
- Press the blue touch pad for filtered ambient water, instantly. Great tasting freshly filtered water for cool drinks and cooking.
- Permanent safety lock requires two finger operation to access boiling water.
- Temperature status indicator light signals when boiling water is ready to use.
- Filter warning light signals when the water filter cartridge replacement is due.

### Super compact under sink unit with external filter system

- Makes it easy to install where sink cupboard space is limited.
- PLUS internal boiling water pump for steady continuous flow.
- Water dispenses at set temperature from the first drop. No waste.
- PLUS cool-touch tap head and body.

### Crystal-clear great-tasting water.

- Filters out chlorine, lead, rust, asbestos fibres and volatile organic compounds.
- Removes impurities larger than one five-thousandth of a millimetre, including the protozoan cysts Cryptosporidium and Giardia. Does not remove fluoride.
- Tested and certified by NSF International to NSF/ANSI standards 42 and 53.



# Zip HydroTap® Miniboil® Classic

Super-compact economy models for filtered boiling water and filtered ambient water

Order Code	Zip Model	Boiling Water	Cold Water	Boiling Chamber	Total Rating	Under-Sink W x D x H
HT1006	Miniboil BA Classic	Yes	Yes	1.8 litres	1.5 kW	212 x 272 x 338

### Location

The Zip Miniboil Tap may be installed to flow into a sink, or be installed away from a sink on a Zip Miniboil “font” accessory which is plumbed to waste.

For tap installations a 35 mm hole is required.

### Electrical

Plugged to a 10 Amp GPO within 1000 mm. Power supply 220 V to 240 V AC 50/60 Hz. Install in accordance with AS/ NZS 3000 safety regulations.

### Clearances

The under sink system must be installed with clearances of 50 mm left and right, 200 mm above and 60 mm rear.

### Plumbing

Must be installed by a qualified technician in accordance with instructions supplied with the product and with AS/NZS 3500 plumbing regulations.

Water supply must be potable (drinkable), with a minimum pressure of 172 kPa.

The unit comes complete with a pressure limiting valve, an isolation valve (not supplied) must be installed between the water supply and the under sink system.

The under sink system must be located directly beneath the tap. The maximum distance from the tap to the undersink unit is 1000mm. Under sink tubing must be taut with constant flow for proper drainage and never be looped or coiled.

### Warranty

Twelve months full parts and labour warranty. For full warranty details visit [www.zipindustries.com](http://www.zipindustries.com)

### Accessories

- 90046 - Tap Font Kit for including tap extension for Classic models
- 90026 - 100mm Tap Extension
- 91290 - Zip 0.2 micron replacement filter

### Technical Assistance

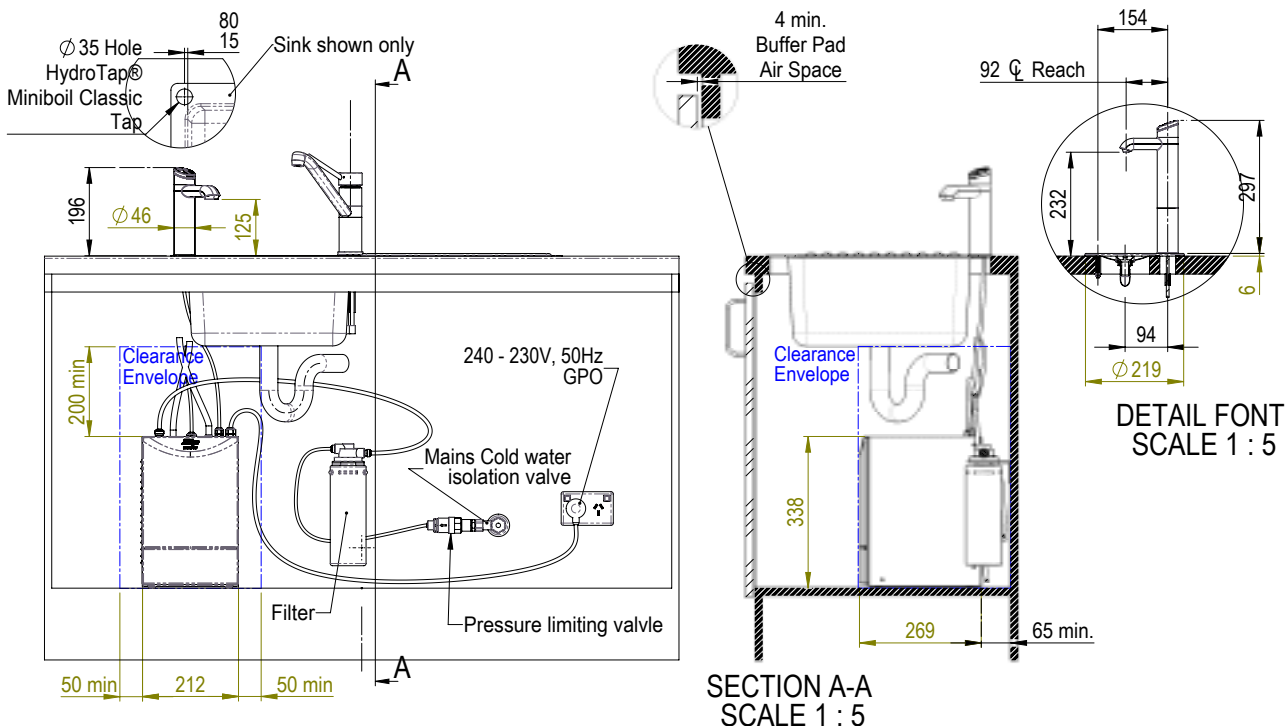
Contact Zip Industries (Aust) Pty Ltd  
67 Allingham Street,  
Condell Park NSW 2200.

**Free Call** 1800 638 633

**Telephone** 02 9796 3100

**Website** [www.zipindustries.com](http://www.zipindustries.com)

*As Zip policy is one of continuous product improvement changes to specifications may be made without prior notice.*



*The terms, Zip, HydroTap, Miniboil and Power-Pulse are Trademarks*