



CHILLTAP CHILLED, SPARKLING

Order Code CT1003-1

Zip ChillTap® Sparkling Under-bench instant chilled still and sparkling filtered drinking water appliance .

Manufacturing Code	30116
Capacity	Residential



Tap	Ceramic disk operated "goose neck" Carafe (2 x handles)
Water Pressure	Min 250kPa - Max 700kPa
Water Connection	12.7mm BSP
Water Valves	Integrated surge protection kit including 350kPa Pressure limiting valve and Dual Check Valve
Power Rating	0.30kW 230-240V 50Hz
Dimensions	H333mm x W280mm x D435mm
Product Approvals	WaterMark, CE, ARC
Warranty	1 year

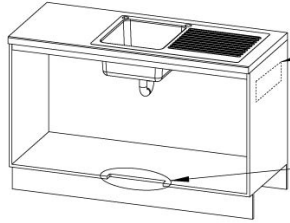
Installation Requirements

Must be installed by a suitably qualified person in accordance with manufacturers instructions and with all relevant plumbing and electrical regulations.

Installation Detail



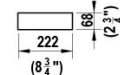
Position the Tap to dispense into the sink, allowing clearance for a cup or teapot. Alternatively, mount tap on a Zip Font (available as an accessory).



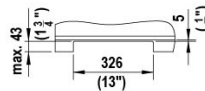
Ø25mm hole for tap: ChillTap Sparkling
Sink shown only

Ventilation Detail

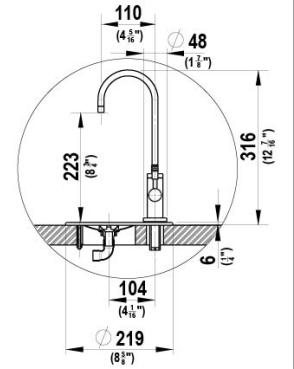
Air outlet louvre (if required)
Cut-out in door/wall, towards the top of the cabinet



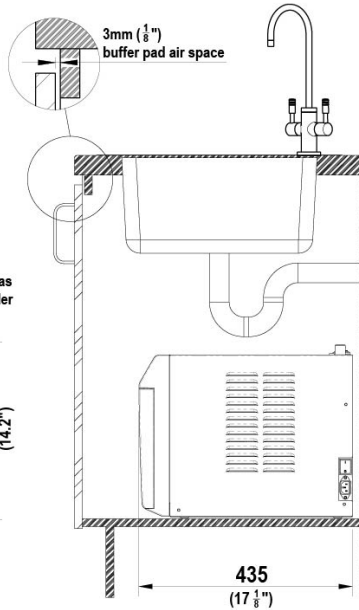
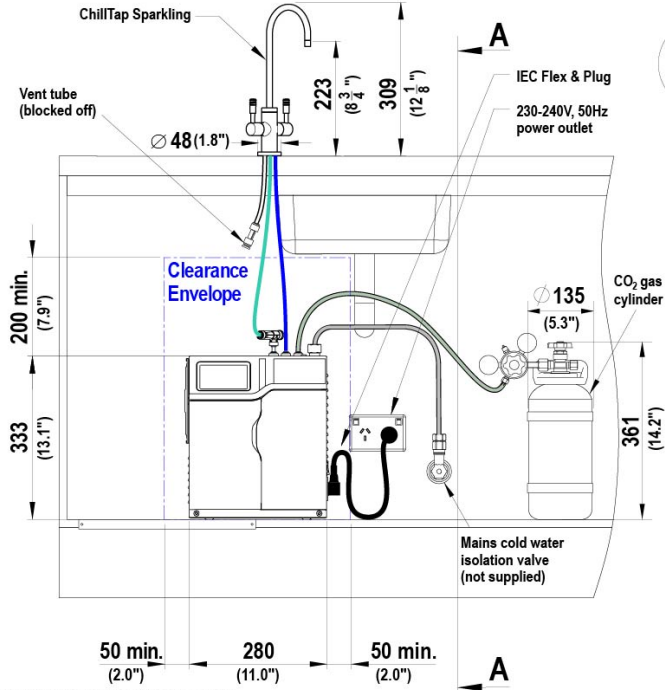
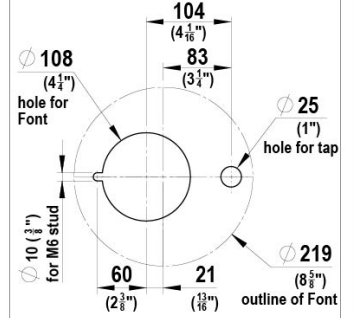
Air inlet grille (required)
Cut-out in cabinet floor



ChillTap Sparkling Tap & Font



Cutting Detail



SECTION A-A
SCALE 1:5

ChillTap Sparkling