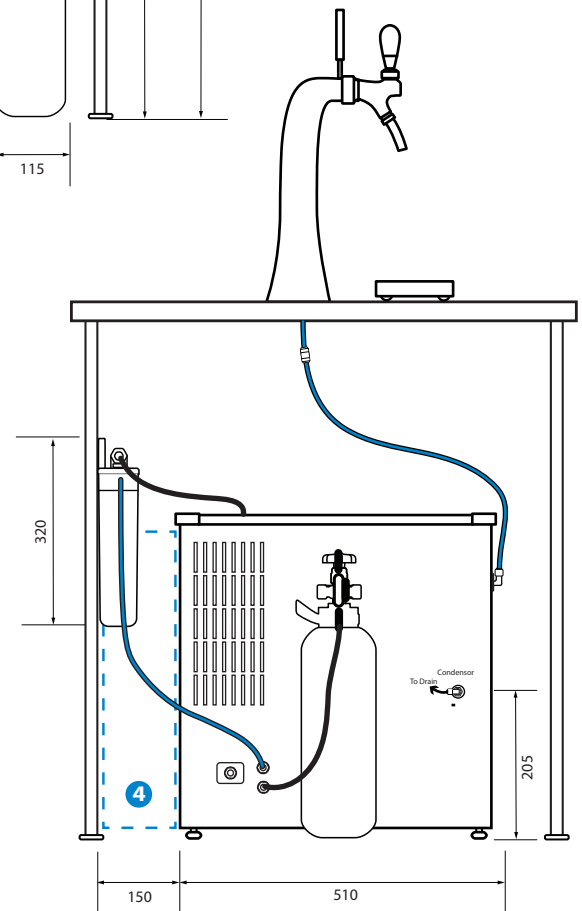


SITE REQUIREMENT

- 1 Mains Cold Water Isolation Tap
- 2 Drainage
- 3 240V Power Outlet
- 4 150mm Minimum Air Gap Between the Back of Appliance and the Back Wall
N.B. If Air Gap is not Possible Appliance can be Placed Sideways.

Please Note: If the appliance is installed in a closed cupboard space, large adequate ventilation is required to validate the warranty

N.B. When trimming tubes to length - to ensure **NO LEAKS** use a sharp tube cutter for a clean cut



ALL DIMENSIONS GIVEN ARE IN MM.