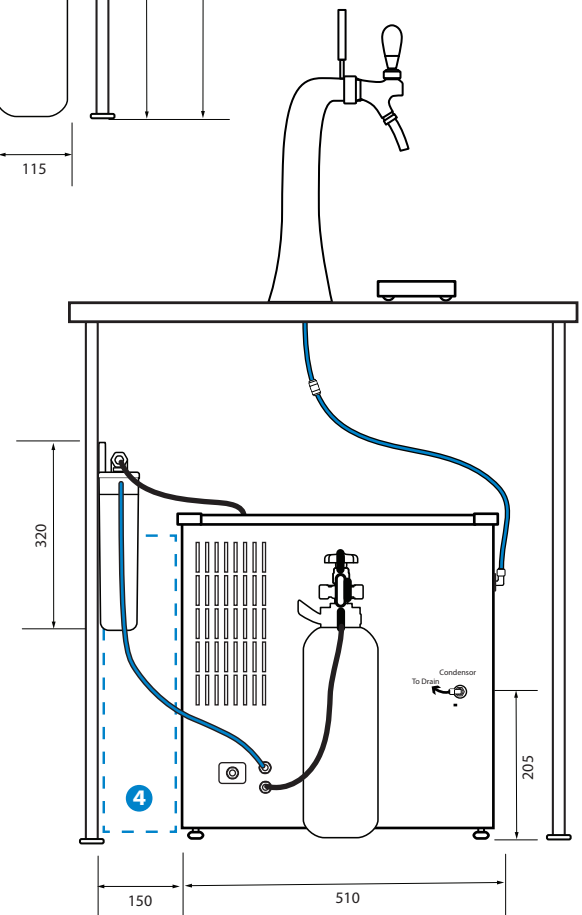


## SITE REQUIREMENT

- 1 Mains Cold Water Isoltion Tap
- 2 Drainage
- 3 240V Power Outlet
- 4 150mm Minimum Air Gap Between the Back of Appliance and the Back Wall  
N.B. If Air Gap is not Possible Appliance can be Placed Sideways.

**Please Note:** If the appliance is installed in a closed cupboard space, large adequate ventilation is required to validate the warranty

**N.B.** When trimming tubes to length - to ensure **NO LEAKS** use a sharp tube cutter for a clean cut



ALL DIMENSIONS GIVEN ARE IN MM.