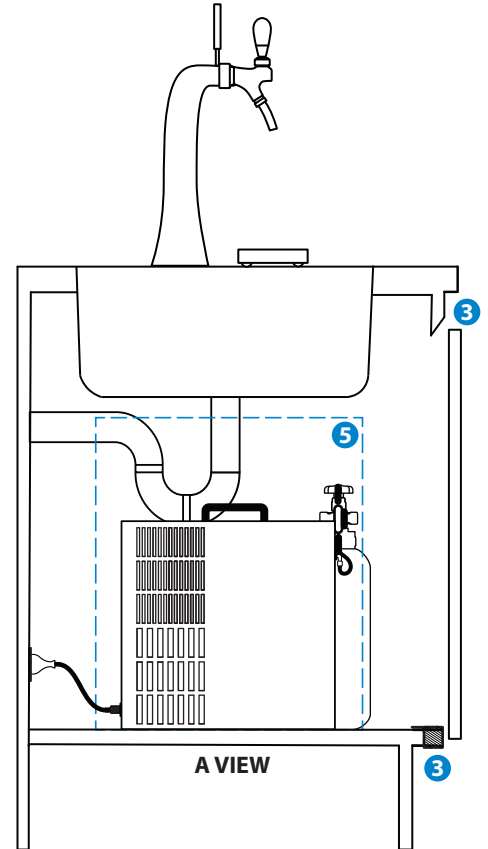


### SITE REQUIREMENT

- 1 Drainage Connection
- 2 Mains Cold Water Isolation Tap
- 3 Ventilation - Air Inlet & Air Outlet
- 4 240V Power Outlet
- 5 Clear Air Envelope. Clearance either side of the appliance
- 6 Water Lines to Tap need to be Insulated



ALL DIMENSIONS GIVEN ARE IN MM.

