

# Zip HydroTap<sup>®</sup> G4

Boiling | Ambient | Filtered | Instantly

**Commercial models BA 160 G4, BA 240 G4**

With new Zip G4 power-saving technology and Zip 0.2 micron filtration.



Simple to install on any kitchen sink.



*New under-bench Zip Command Centre™ leads the world in time-saving and energy-saving technology, reducing standby energy consumption substantially over earlier models of similar capacity.*

## Typical Specification

“Under-bench boiling and ambient filtered water appliance equipped with integral 500 kPa pressure limiting and dual check valve, 0.2 micron water filter, an interactive touch screen display with password protection and two boiling-water safety modes.”



Can be installed away from any sink with the optional 'font' kit accessory.

## Boiling and ambient (cold) filtered water instantly from a space-saving compact Command Centre.

**Adjustable boiling water temperature:** 100°C to 68°C.

**Power-Pulse™ electronic technology** controls the set boiling water temperature within 0.2° C.

**Choice of fingertip control** for fast cup filling (lever down) or **hands-free** pot filling (lever up).

**Two safety modes.** Can be set to require finger-thumb operation for boiling water access, eliminating the risk of accidental use. Can also be set to **“hot isolation mode”** for added safety.

**Low-energy lights** signal when boiling water is ready, or filter change is due.

**Hidden light sensor** sends appliance to sleep to conserve energy whenever the room goes dark.

**Sleeps or powers OFF** after 2 hours of non-use.

**Plus inbuilt 24/7 on/off timing** allowing power to be turned off for weekday or weekend periods.

**Zip 0.2 micron filter** puts crystal-clear, better-tasting water on tap, filtering out chlorine taste and odour, lead, and impurities as tiny as one five-thousandth of a millimetre, including protozoan cysts such as Cryptosporidium. Also reduces accumulation of mineral scale in boiling water appliances, but does not remove beneficial fluoride.

**Zip HydroTap Commercial models with new Zip G4 power-saving technology.**

| Order Code (a) | Zip Model | Boiling Cups/hr | Rating (kW) @ 230 V | Cabinet Dimensions<br>W x D x H (mm) |
|----------------|-----------|-----------------|---------------------|--------------------------------------|
| HT1708         | BA 160 G4 | 160             | 1.85                | 280 x 313 x 333                      |
| HT1709         | BA 240 G4 | 240             | 1.85 + 2.2 (b)      | 280 x 313 x 333                      |

Standard Cup = 167 mL.

(a) Order codes shown here are for boiling/ambient tap installed on a sink. To install boiling/ambient tap on a 'font' also specify a font kit: order code 90915.  
 (b) Model BAHA 240/175 is installed with an externally mounted 2.2 kW booster unit and must be connected to two separate 10 amp power points.

**A. Location**

Tap must be positioned so that it drains into a suitable sink, or be installed on the optional "tap font kit" which is plumbed to waste. Tap should be situated as closely as possible to directly above the under-sink Command Centre. Maximum distance from the base of the tap to the Command Centre is one metre. Command Centre must have clearances as shown on the drawings.

**B. Plumbing**

Must be installed in accordance with AS/NZS3500 plumbing regulations. Designed for direct connection to a potable (drinkable) cold water supply with minimum pressure of 172 kPa. A 500 kPa pressure limiting valve is fitted internally. An isolating valve should be fixed between the water supply and the under-bench Command Centre.

**C. Electrical**

Model BA 160 is designed to be connected to a 10 amp GPO, 240-230 Volt AC power supply in accordance with AS/NZS 3350 and 3000 wiring regulations. Model BA 240 is installed with an externally mounted 2.2 kW booster unit and must be connected to two separate 10 amp power points.

**Caution**

In some hard water areas where mineral scale accumulation can become a problem, consideration should be given to the maintenance required. All G4 Command Centre units come with an internal bypass for an additional external filtration system if required.

**Five Year Warranty**

Appliance warranty 36 months, plus additional 24 months tank warranty. See website for details.



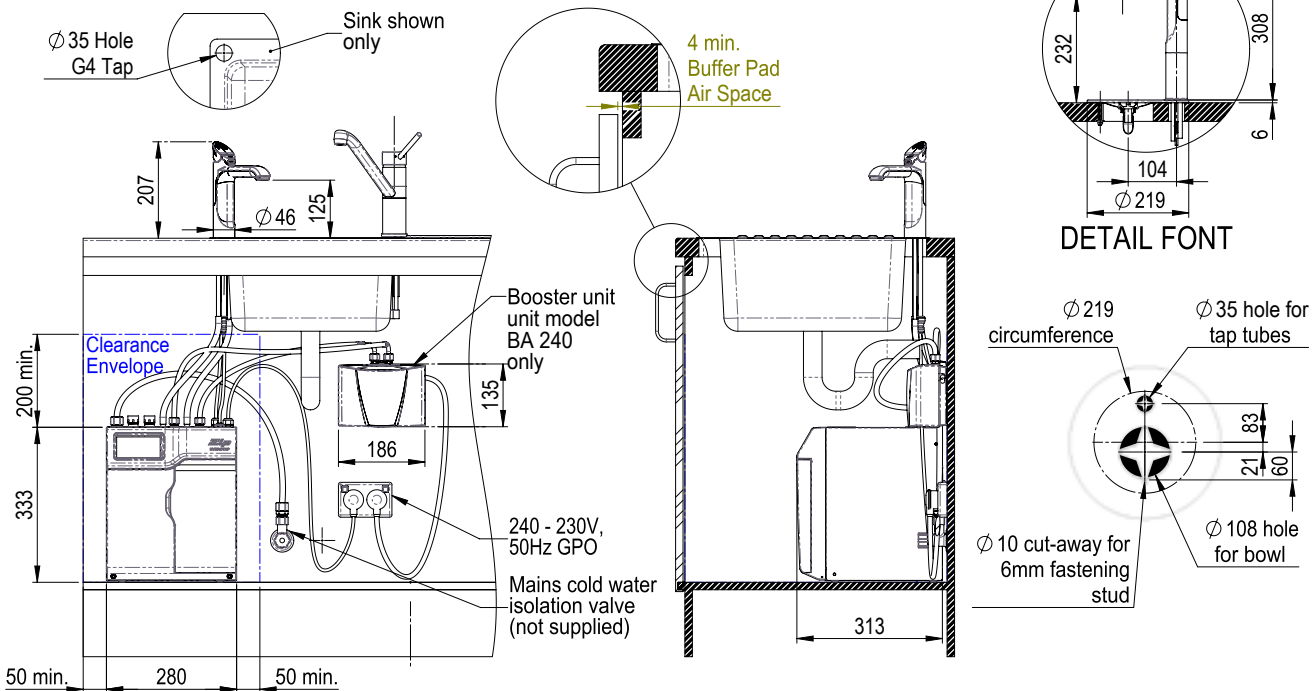
**Accessories**

90915 – Zip G4 font installation kit  
 91290 – Zip 0.2 micron replacement filter  
 To order any model to be supplied with extension levers and Braille pads, add D to the end of the Order Code.



**Technical Assistance**

Zip Heaters (Aust) Pty Ltd  
 67-77 Allingham Street  
 Condell Park NSW 2200  
 Free Call 1800 638 622  
 www.zipindustries.com



As Zip policy is one of continuous product improvement changes to specifications may be made without prior notice. The terms 'Zip', 'Power-Pulse', 'HydroTap' and 'Command Centre' are trade marks.