

Zip HydroTap® Sparkling

Boiling | Chilled | Filtered | Sparkling | Instantly

Commercial model BCS 120/125 G3

with Zip 0.2 micron filtration.



Simple to install at any kitchen sink.



Typical Specification

“Under-bench boiling, chilled and sparkling filtered water appliance equipped with external pressure limiting and dual check valve, external CO2 cylinder, integral 0.2 micron water filter, air cooled refrigeration system and two boiling-water safety modes.”



Can be installed away from any sink with the optional 'font' accessory.

Boiling and chilled filtered water, instantly, plus sparkling chilled filtered water at a fraction of the cost of bottled water.

Adjustable water temperature: boiling water 100°C to 68°C, chilled water 5°C to 14°C.

Power-Pulse™ electronic technology controls the set boiling water temperature within 0.2°C.

Choice of fingertip control for fast cup filling (lever down) or **hands-free** pot filling (lever up).

Two safety modes. Can be set to require finger-thumb operation for boiling water access, eliminating the risk of accidental use. Can also be set to “**hot isolation mode**” for added safety.

Low-energy lights signal when boiling water is ready, chilled water is ready, or filter change is due.

Hidden light sensor sends appliance to sleep to conserve energy whenever the room goes dark.

Sleeps or powers OFF after 2 hours of non-use.

Plus inbuilt 24/7 on/off timing allowing power to be turned off for weekday or weekend periods.

Zip 0.2 micron filter puts crystal-clear, better-tasting water on tap, filtering out chlorine taste and odour, lead, and impurities as tiny as one five-thousandth of a millimetre, including protozoan cysts such as Cryptosporidium. Also reduces accumulation of mineral scale in boiling water appliances, but does not remove beneficial fluoride.

Zip HydroTap Sparkling Commercial model with Zip 0.2 micron filtration.

Order Code (a)	Zip Model	Boiling Cups/hr	Chilled glasses/hr	Rating (kW) @ 230 V	Cabinet Dimensions W x D x H (mm)
HT1699	BCS 120/125 G3	120	125	2.1	385 x 413 x 349

Standard Cup = 167 mL. Standard Glass = 200 mL.

(a) Order code shown here is for the model installed on a sink. To install on a 'font' also specify a font kit: order code 90915.

A. Location

Tap must be positioned so that it drains into a suitable sink, or be installed on the optional "tap font kit" which is plumbed to waste. Tap should be situated as closely as possible to directly above the under-sink Command Centre. Maximum distance from the base of the tap to the Command Centre is one metre. Command Centre must have clearances as shown on the drawings. Ventilation accessories (supplied) must be installed as per instructions.

B. Plumbing

Must be installed in accordance with AS/NZS3500 plumbing regulations. Designed for direct connection to a potable (drinkable) cold water supply with minimum pressure of 172 kPa. A pressure limiting valve (supplied) must be fitted at the time of installation. An isolating valve should be fixed between the water supply and the under-bench Command Centre.

C. Electrical

Designed to be connected to a 10 amp GPO, 230-240 volt AC power supply in accordance with AS/NZS 3350 and 3000 wiring regulations.

D. Carbon Dioxide

The CO2 gas cylinder supplied must be secured in a suitable location using the strap provided. The gas regulator supplied must be fitted. Each cylinder contains 1 Kg of CO2 and should be installed in a well ventilated area or a room of no less than 38 cubic metres. See website for gas cylinder MSDS sheet for complete list of warnings.

Caution

In some hard water areas where mineral scale accumulation can become a problem, consideration should be given to the maintenance required.

Accessories

90915 – Zip font installation kit
 91290 – Zip 0.2 micron replacement filter
 91295 – Zip CO2 Cylinder twin pack
 To order any model to be supplied with extension levers and Braille pads, add D to the end of the Order Code.

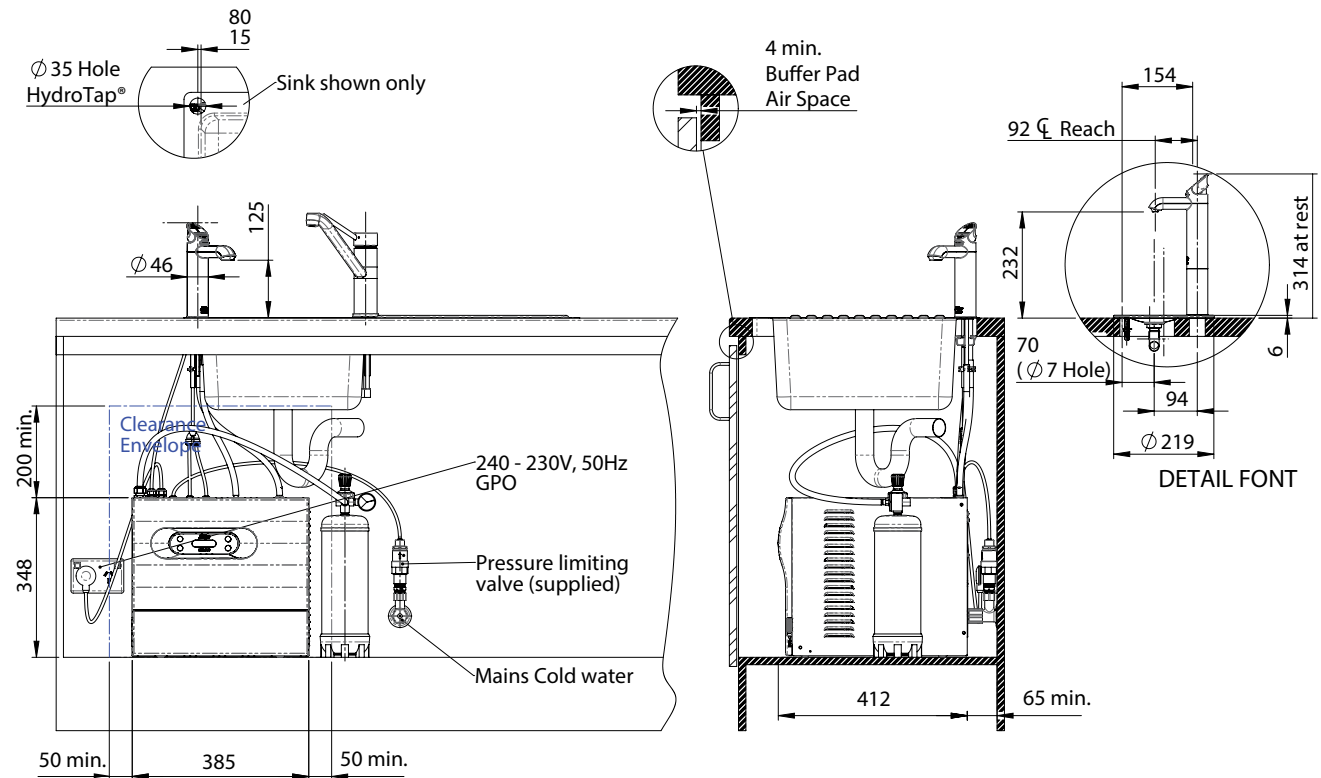


Two Year Warranty

Comprehensive 24 month parts and labour warranty. See website for details.

Technical Assistance

Zip Heaters (Aust) Pty Ltd
 67-77 Allingham Street
 Condell Park NSW 2200
 Free Call 1800 638 622
 www.zipindustries.com



As Zip policy is one of continuous product improvement changes to specifications may be made without prior notice. The terms 'Zip', 'HydroTap', 'Power-Pulse' and 'Command Centre' are trade marks.